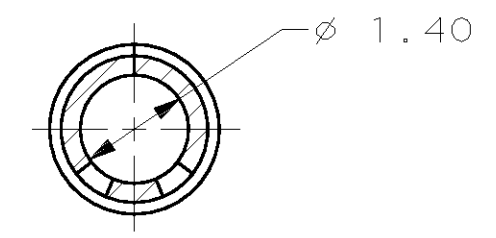
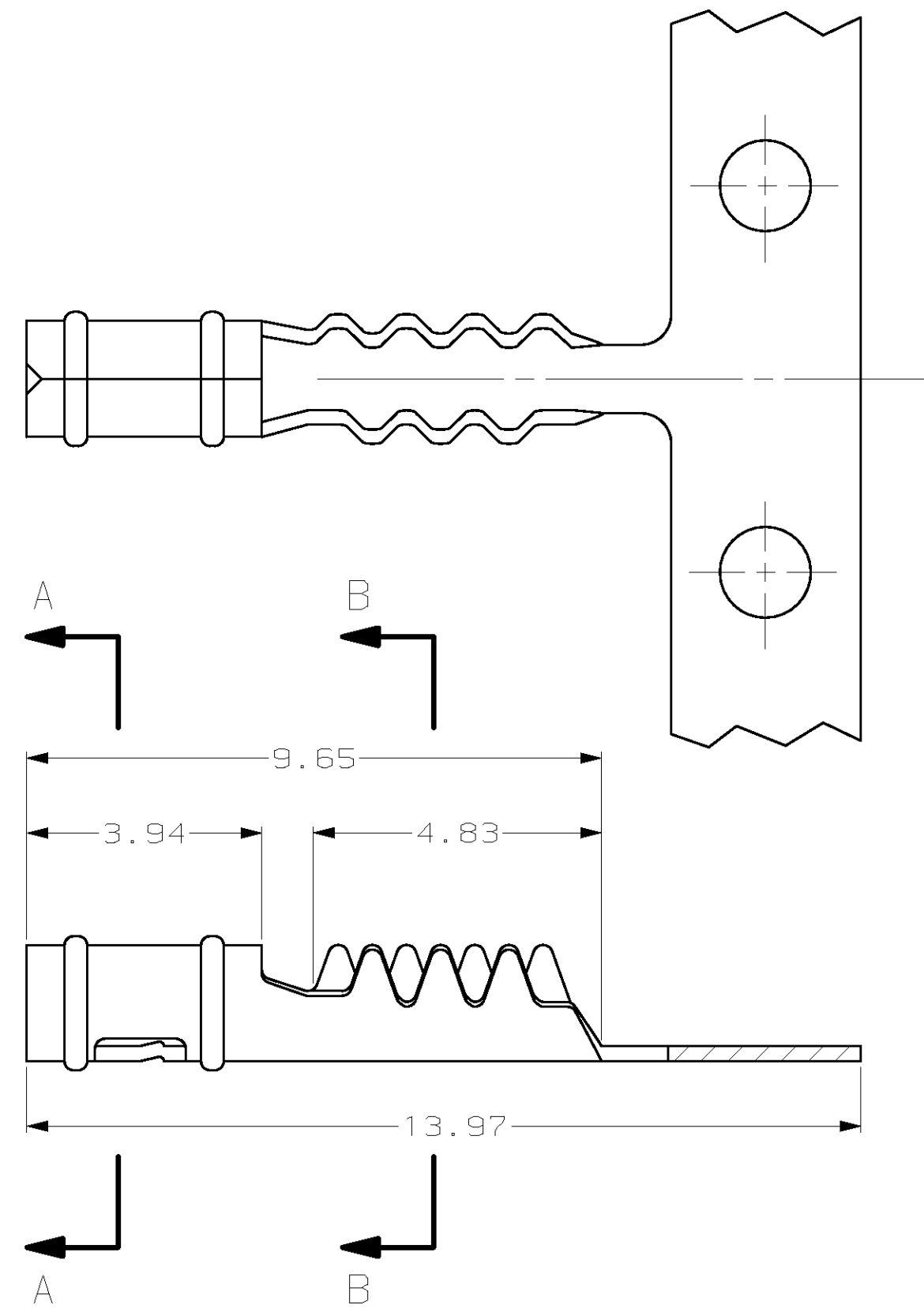


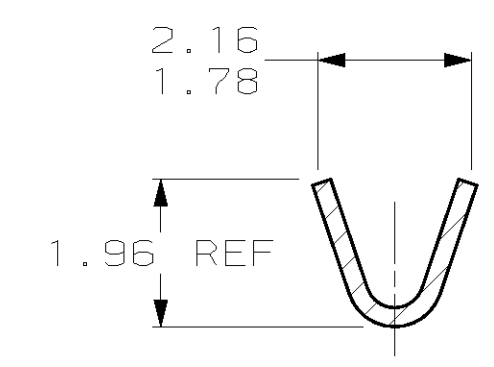
THIS DRAWING IS UNPUBLISHED. RELEASED FOR PUBLICATION .19
 (C) COPYRIGHT 19 BY AMP INCORPORATED. ALL RIGHTS RESERVED.

LOC	DIST	REVISIONS			
P	LTR	DESCRIPTION	DATE	DWN	APVD
CM	52	B	REV & REDWN PER EC 0L30-0125-97	6-9-97	TB RS

1. WIRE RANGE: TINSEL WIRE
2. INSULATION RANGE: 0.76 - 1.02



SECTION A-A



SECTION B-B

350393-1
PART NUMBER

MM	IN	MM	IN	MM	IN	MM	IN
1.02	.040	1.96	.077	9.65	.380	-	-
0.76	.030	1.78	.070	4.83	.190	-	-
0.25	.010	1.47	.058	3.94	.155	-	-
0.13	.005	1.40	.055	2.16	.085	13.97	.550

CONVERSION TABLE

METRIC

THIS DRAWING IS A CONTROLLED DOCUMENT.		DWN	T. BECK	6-09-97	AMP Incorporated Harrisburg, PA 17105-3608
DIMENSIONS:		CHK	R. SWING	6-09-97	
mm		APVD	A. BEDDICK	6-17-97	
		TOLERANCES UNLESS OTHERWISE SPECIFIED: 0 PLC ±- 1 PLC ±- 2 PLC ±0.13 3 PLC ±- 4 PLC ±- ANGLES ±-		NAME RECEPTACLE, .058 DIAMETER, INSULATION PIERCING, P.C. CONTACT PRODUCT SPEC 108-1025 APPLICATION SPEC 114-1008	
MATERIAL	0.25 PH BRZ	FINISH	PRE TIN	WEIGHT	-
CUSTOMER DRAWING				SCALE	10:1
A2 00779			C-350393	SHEET	1 OF 1
RESTRICTED TO			REV		B

350393